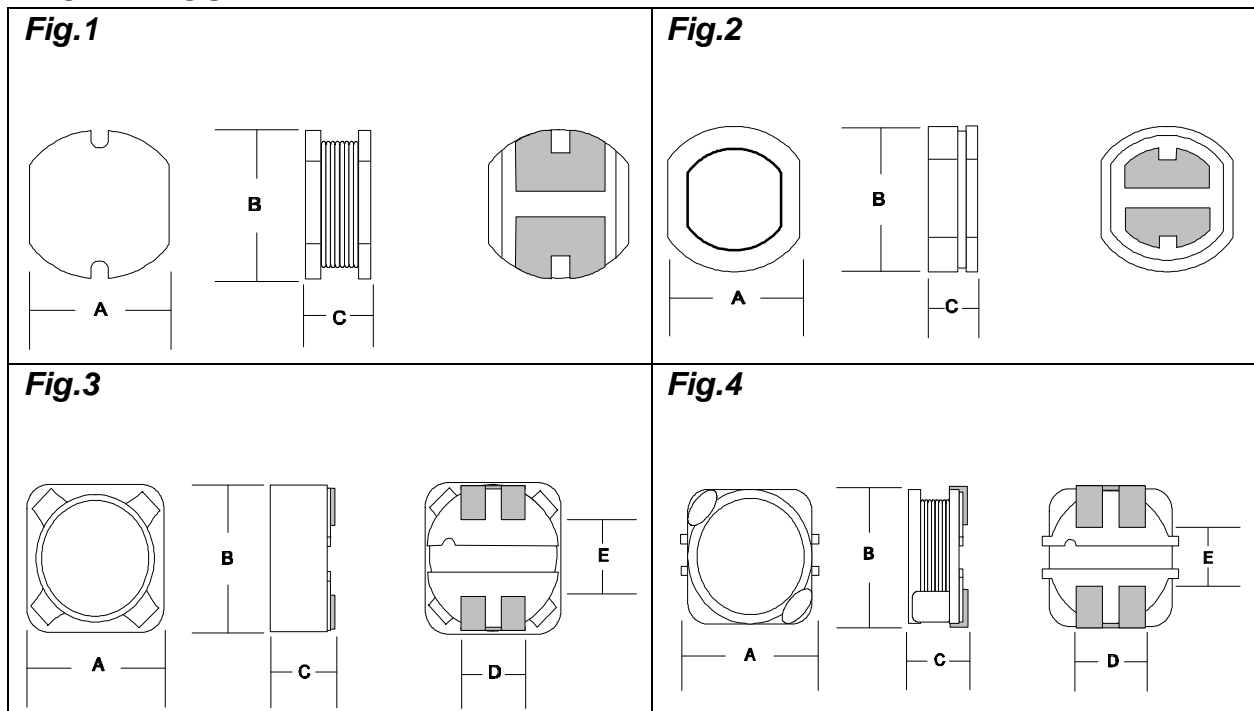


## CD-R/H/RH Series

This outstanding range of surface mount inductors comes in four basic package configurations, **CD**, **CDR**, **CDH**, and **CDRH**. The CDR and CDRH types are ferrite shielded and ensure excellent reliability and performance in applications where PCB space is limited. All of this range offers excellent *I<sub>sat</sub>* characteristics for their given size.



### COMPONENT OUTLINE



(1 = CD Type, 2 = CDR Type, 3 = CDRH Type, 4 = CDH Type)

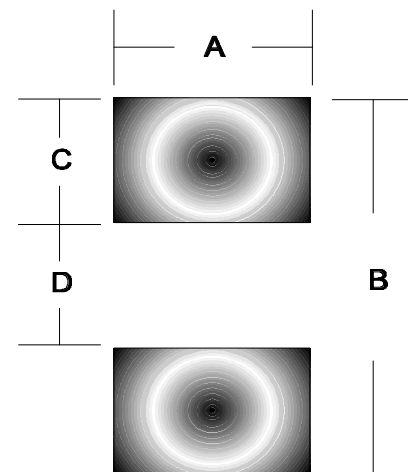
Table of dimensions on next page

## INDUCTANCE RANGE AND DIMENSIONS

ECM Type	Inductance Range	Outline (Fig.)	A (mm)	B	C	D	E
CD43	1.0uH~68uH	1	4.0	4.5	3.2	n/a	n/a
CD54	10uH~220uH	1	5.2	5.8	4.5	n/a	n/a
CDR63B	10uH~68uH	2	5.6	6.2	3.2	n/a	n/a
CD73	10uH~330uH	1	7.0	7.8	3.5	n/a	n/a
CDR74B	10uH~270uH	2	7.0	7.8	4.5	n/a	n/a
CDR105B	10uH~470uH	2	9.0	10.0	5.0	n/a	n/a
CDR125	10uH~820uH	2	11.6	12.6	5.4	n/a	n/a
CDRH73	10uH~1.0mH	3	7.3	7.3	3.2	1.8	n/a
CDRH74	10uH~1.0mH	3	7.3	7.3	4.5	1.8	n/a
CDPH73	10uH~470uH	3	7.3	7.3	3.6	1.8	n/a
CDH73	10uH~220uH	4	7.3	8.0	3.3	2.0	5.8
CDH113	10uH~470uH	4	11.2	11.0	3.7	4.8	7.5
CDH115	10uH~470uH	4	11.2	11.0	5.2	4.0	7.5
CDRH125	10uH~1.0mH*	3	12.0	12.0	6.0	5.0	7.6
CDRH127	10uH~1.0mH*	3	12.0	12.0	8.0	5.0	7.6

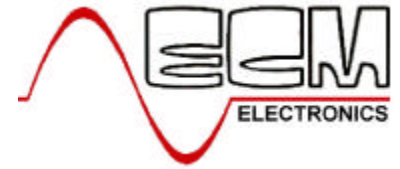
## RECOMMENDED PCD PAD AREAS

ECM Type	A (mm)	B	C	D
CD43	4.5	5.0	1.75	1.5
CD54	5.5	6.0	2.15	1.7
CDR63B	5.5	6.2	2.25	1.7
CD73	7.5	8.0	3.0	2.0
CDR74B	7.5	10.0	4.0	2.0
CDR105B	9.5	12.5	5.0	2.5
CDR125	2.2	12.5	5.9	2.5
CDRH73	2.2	8.0	1.6	2.5
CDRH74	2.2	8.0	1.6	4.8
CDPH73	4.4	8.0	1.6	4.8
CDH73	2.4	8.4	1.5	5.4
CDH113	4.4	11.8	2.4	4.8
CDH115	5.4	11.8	2.4	7.0
CDRH125	5.4	12.6	2.8	7.0
CDRH127	5.4	12.8	2.9	7.0



\* Values lower than 10μH available upon request

# ECM Surface Mount Power Inductors



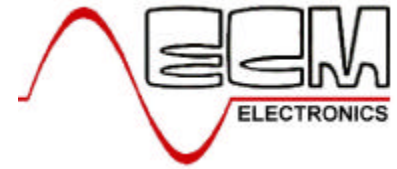
## CD43 – CD54 – CDR63B – CD73 – CDR74B

L (uH)	dcR (W) Max.					Nominal Rated dc Current (A)				
	CD43	CD54	CDR63B	CD73	CDR74B	CD43	CD54	CDR63B	CD73	CDR74B
1.0	48.70m					2.56				
1.4	56.20m					2.52				
1.8	63.70m					1.95				
2.2	71.20m					1.75				
2.7	78.70m					1.58				
3.3	86.20m					1.44				
3.9	93.70m					1.33				
4.7	108.70m					1.15				
5.6	125.70m					0.99				
6.8	131.20m					0.95				
8.2	146.20m					0.84				
10	0.182	0.10	0.14	0.080	0.07	1.04	1.44	1.00	1.44	1.65
12	0.210	0.12	0.16	0.090	0.07	0.97	1.40	0.94	1.39	1.57
15	0.235	0.14	0.18	0.104	0.08	0.85	1.30	0.86	1.24	1.39
18	0.338	0.15	0.25	0.111	0.10	0.74	1.23	0.78	1.12	1.29
22	0.378	0.18	0.32	0.129	0.13	0.68	1.11	0.76	1.07	1.12
27	0.522	0.20	0.36	0.153	0.16	0.62	0.97	0.64	0.94	1.06
33	0.540	0.23	0.41	0.170	0.18	0.56	0.88	0.61	0.85	0.97
39	0.587	0.32	0.47	0.217	0.18	0.52	0.80	0.53	0.74	0.91
47	0.844	0.37	0.51	0.252	0.27	0.44	0.72	0.50	0.68	0.80
56	0.937	0.42	0.72	0.282	0.29	0.42	0.68	0.46	0.64	0.76
68	1.117	0.46	0.82	0.332	0.33	0.37	0.61	0.42	0.59	0.68
82		0.60		0.406	0.43		0.58		0.54	0.62
100		0.70		0.481	0.49		0.52		0.51	0.55
120		0.93		0.536	0.68		0.48		0.49	0.49
150		1.10		0.755	0.94		0.40		0.40	0.44
180		1.38		1.022	1.00		0.38		0.36	0.40
220		1.57		1.200	1.18		0.35		0.31	0.36
270				1.306	1.30				0.29	0.33
330				1.495					0.28	
390										
470										
560										
680										
820										

ECM Electronics Limited, Penmaen House, Ashington, West Sussex, RH20 3JR, UK  
 Tel: +44(0)1903 892810: Fax: +44(0)1903 892738. Email: [ecm@ecmelectronics.co.uk](mailto:ecm@ecmelectronics.co.uk)

Although we have attempted to accurately reflect the products we market. ECM reserve the right without prior notice to discontinue any product or make design changes we believe necessary.

# ECM Surface Mount Power Inductors



## CDR105B – CDR125 – CDRH73 – CDRH74 – CDPH73

L (uH)	dcR (W) Max.					Nominal Rated dc Current (A)				
	CDR105B	CDR125	CDRH73	CDRH74	CDPH73	CDR105B	CDR125	CDRH73	CDRH74	CDPH73
10	0.06	0.05	72m	49m	90m	2.06	2.65	1.68	1.84	1.40
12	0.07	0.05	98m	58m	0.10	1.94	2.50	1.52	1.71	1.30
15	0.07	0.06	0.13	81m	0.13	1.72	2.45	1.33	1.47	1.20
18	0.08	0.06	0.14	91m	0.15	1.58	2.40	1.20	1.31	1.10
22	0.08	0.07	0.15	0.11	0.17	1.42	2.20	1.07	1.23	1.00
27	0.10	0.08	0.18	0.15	0.21	1.32	2.00	0.96	1.12	0.88
33	0.11	0.10	0.24	0.17	0.24	1.16	1.80	0.91	0.96	0.80
39	0.12	0.11	0.32	0.23	0.31	1.10	1.65	0.77	0.91	0.75
47	0.14	0.12	0.36	0.26	0.35	1.00	1.50	0.76	0.88	0.67
56	0.19	0.15	0.47	0.35	0.40	0.93	1.38	0.68	0.75	0.62
68	0.21	0.17	0.52	0.38	0.52	0.85	1.26	0.61	0.69	0.54
82	0.28	0.20	0.69	0.43	0.60	0.79	1.14	0.57	0.61	0.52
100	0.34	0.25	0.79	0.61	0.70	0.72	1.05	0.50	0.60	0.46
120	0.37	0.28	0.89	0.66	0.82	0.63	0.95	0.49	0.52	0.42
150	0.51	0.40	1.27	0.88	1.35	0.55	0.85	0.43	0.46	0.37
180	0.57	0.48	1.42	0.98	1.50	0.50	0.77	0.39	0.42	0.33
220	0.78	0.52	1.52	1.17	1.70	0.47	0.70	0.35	0.36	0.30
270	0.87	0.70	2.30	1.64	1.90	0.41	0.63	0.32	0.34	0.28
330	1.20	0.80	2.62	1.86	2.80	0.37	0.57	0.28	0.32	0.25
390	1.34	1.08	2.94	2.85	3.00	0.35	0.52	0.26	0.29	0.22
470	1.50	1.20	4.18	3.01	3.50	0.33	0.48	0.24	0.26	0.20
560		1.34	4.67	3.62			0.44	0.22	0.23	
680		1.78	5.73	4.63			0.40	0.19	0.22	
820		2.00	6.54	5.20			0.36	0.18	0.20	
1000			9.44	6.00				0.16	0.18	

## CDH73 – CDH113 – CDH115 – CDRH125 – CDRH127

L (uH)	dcR (W) Max.					Nominal Rated dc Current (A)				
	CDH73	CDH113	CDH115	CDRH125	CDRH127	CDH73	CDH113	CDH115	CDRH125	CDRH127
10	77m	47m	28m	25m	22m	1.20	2.00	3.00	4.00	5.40
12	92m	56m	33m	27m	24m	1.05	1.80	2.80	3.50	4.90
15	0.11	72m	39m	30m	27m	1.00	1.55	2.50	3.30	4.50
18	0.13	78m	49m	34m	39m	0.90	1.45	2.25	3.00	3.90
22	0.18	98m	60m	36m	43m	0.81	1.25	2.10	2.80	3.60
27	0.21	0.11	70m	51m	46m	0.75	1.16	1.84	2.30	3.40
33	0.24	0.15	82m	57m	65m	0.66	1.05	1.68	2.10	3.00
39	0.28	0.17	0.11	68m	73m	0.59	0.97	1.52	2.00	2.75
47	0.35	0.22	0.13	75m	0.10	0.56	0.91	1.36	1.80	2.50
56	0.40	0.24	0.14	0.11	0.11	0.51	0.80	1.28	1.70	2.35
68	0.51	0.28	0.16	0.12	0.14	0.47	0.76	1.20	1.50	2.10
82	0.60	0.38	0.21	0.14	0.16	0.41	0.66	1.04	1.40	1.95
100	0.70	0.43	0.26	0.16	0.22	0.37	0.61	0.96	1.30	1.70
120	0.89	0.49	0.29	0.17	0.25	0.35	0.58	0.88	1.10	1.60
150	1.04	0.61	0.40	0.23	0.28	0.31	0.49	0.76	1.00	1.42
180	1.22	0.75	0.45	0.29	0.35	0.28	0.45	0.72	0.90	1.30
220	1.63	0.90	0.53	0.40	0.39	0.26	0.43	0.66	0.80	1.16
270		1.13	1.73	0.46	0.56		0.37	0.59	0.75	1.06
330		1.28	1.84	0.51	0.64		0.34	0.53	0.68	0.95
390		1.60	1.10	0.69	0.70		0.31	0.48	0.65	0.88
470		1.88	1.24	0.77	0.98		0.29	0.45	0.58	0.79
560				0.86	1.07				0.54	0.73
680				1.20	1.46				0.48	0.67
820				1.34	1.64				0.43	0.60
1000				1.53	1.82				0.40	0.55

ECM Electronics Limited, Penmaen House, Ashington, West Sussex, RH20 3JR, UK  
 Tel: +44(0)1903 892810: Fax: +44(0)1903 892738. Email: [ecm@ecmelectronics.co.uk](mailto:ecm@ecmelectronics.co.uk)

Although we have attempted to accurately reflect the products we market. ECM reserve the right without prior notice to discontinue any product or make design changes we believe necessary.